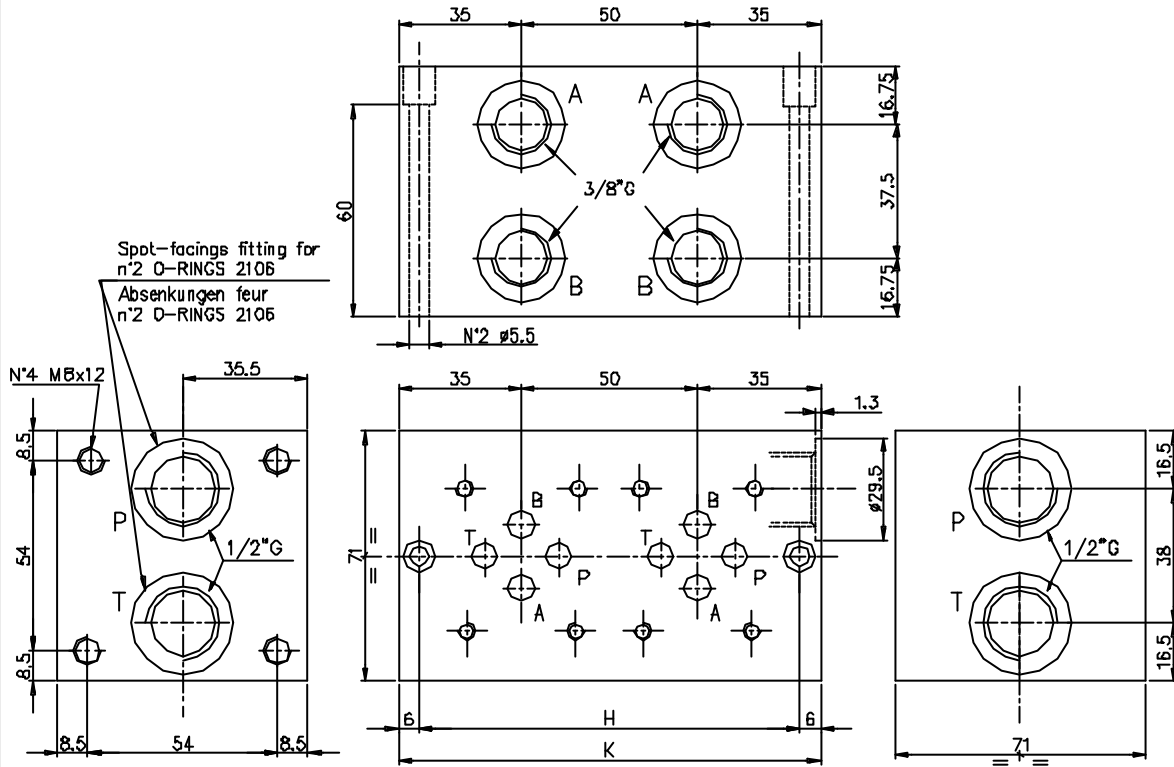
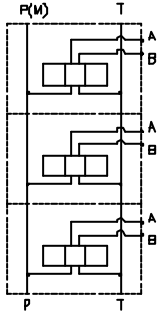




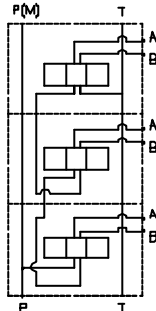
Monoblock with ports A-B = 3/8"G on the side, and P-T = 1/2"G.  
 Monoblock mit seitlichen Anschlüssen A-B = 3/8"G, und P-T = 1/2"G.



Symbol  
parallel conn.  
Parallel schalt.

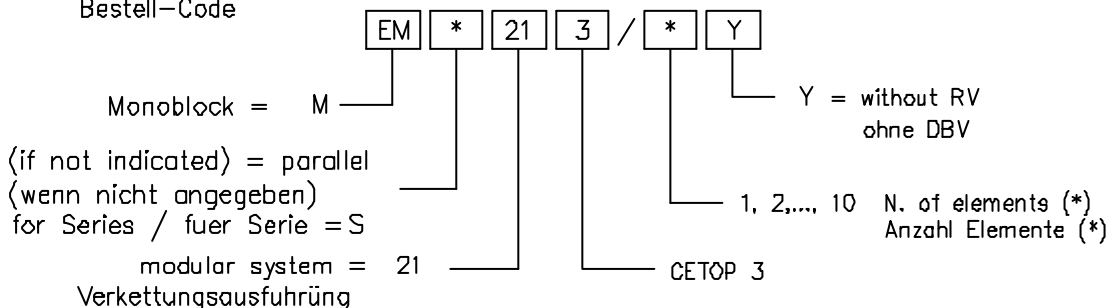


Symbol  
Series conn.  
Serien schalt.



N° Elem.	H	K	Kg
1	58	70	2
2 *	108	120	3.5
3 *	158	170	5
4 *	208	220	6.5
5	258	270	8
6	308	320	9.5
7	358	370	11
8	408	420	12.5
9	458	470	14
10	508	520	15.5

Ordering code  
Bestell-Code



NOTE (\*): The series version is standard from 2 up to 4 elements  
 BEMERKUNG (\*): Serienversion ab 2 bis 4 fach standard