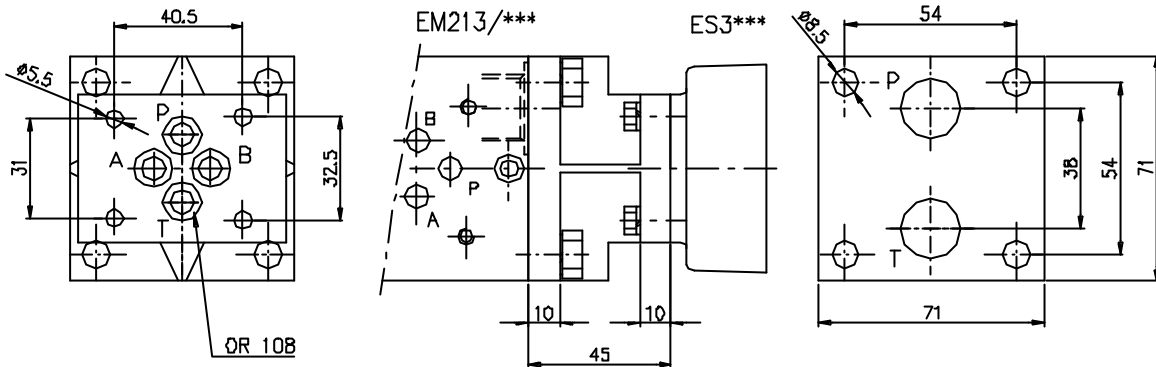




Reduction plate ES3/EM213. Weight = 1.2 Kg
 Reduktionsplatte ES3/EM213. Gewicht = 1.2 Kg

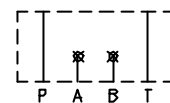


Ordering code
 Bestell-Code

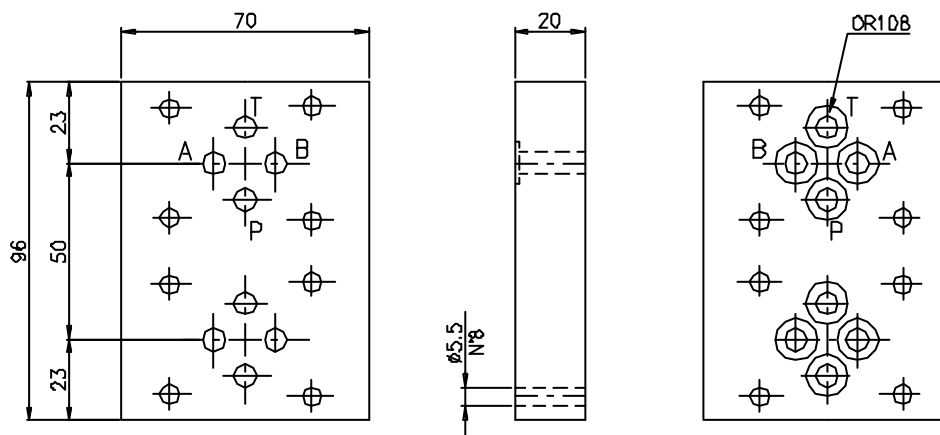
EC 2 1 3

CETOP 3

Hydr. symbol
 Symbol



Packing plate NG6 - A/A-B/B Weight = 1 Kg
 Verkettungsplatte NG6 - A/A-B/B Gewicht = 1 Kg



Ordering code
 Bestell-Code

EB 7 0 0 3

CETOP 3

Hydr. symbol
 Symbol

