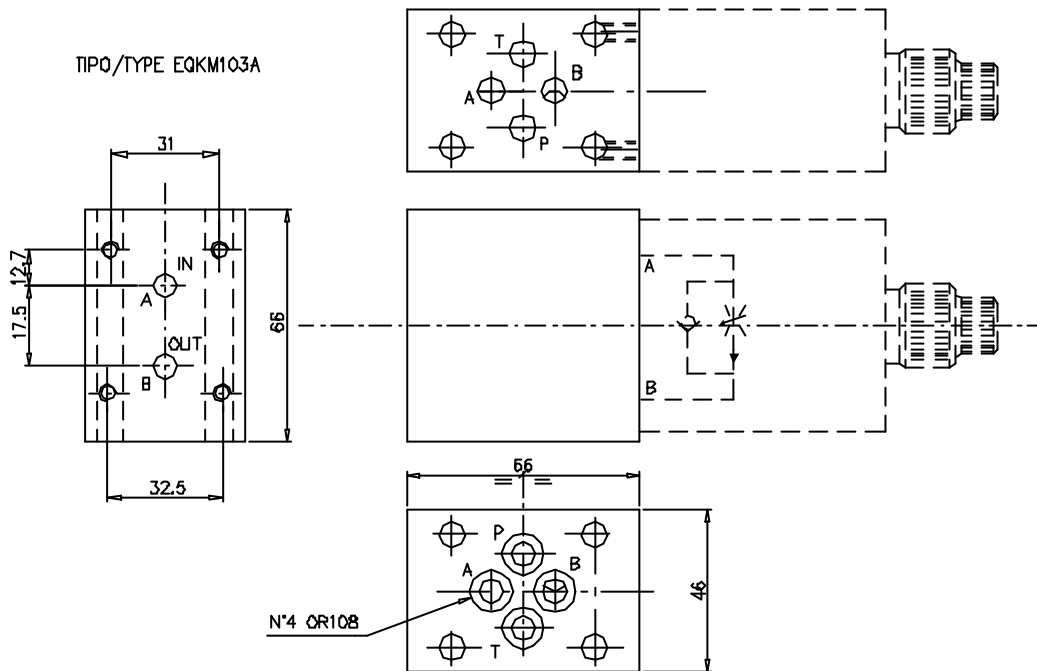




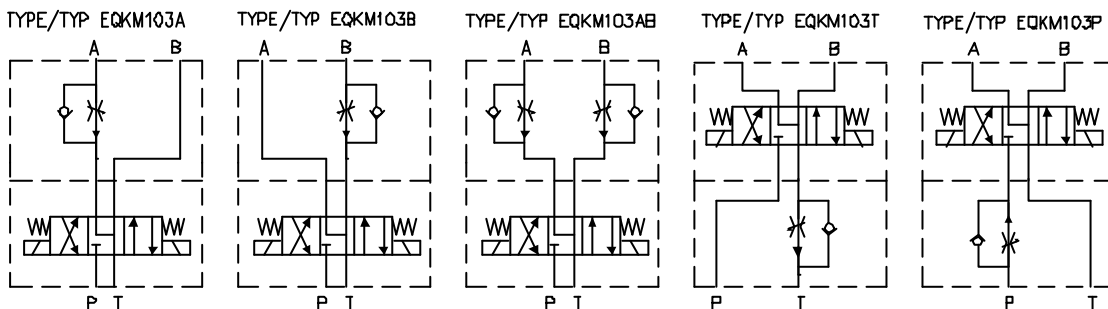
Packing plate for compensated flow regulator on A-B-AB-T-P.
 Kompensiertdrosselventil auf A-B-AB-T-P fuer Modularmontage

Weight = 1.4 Kg

Gewicht = 1.4 Kg



Hydr. Symbol
 Symbol



Ordering code: Bestell-Code:

E Q K M 10 3 *

NHD =

version for compensated flow regulator = Q K
 Ausfuhrung fuer Kompensiertdrosselventil

type of modular mounting = M
 Typ fuer Modularmontage

Standard version = 10
 Std. Ausfuhrung

setting of /
 Einstellung:

- A = A
- B = B
- AB = A-B
- T = T
- P = P

CETOP 3